

Tension / Compression

Type Series FST13



Features:

- Measuring range from 100 kg to 5000 kg
- High accuracy
- High grade steel construction
- Protection class IP67
- High input resistance: 1100 Ω
- Simple cable replacement
- A special fitting kit is available

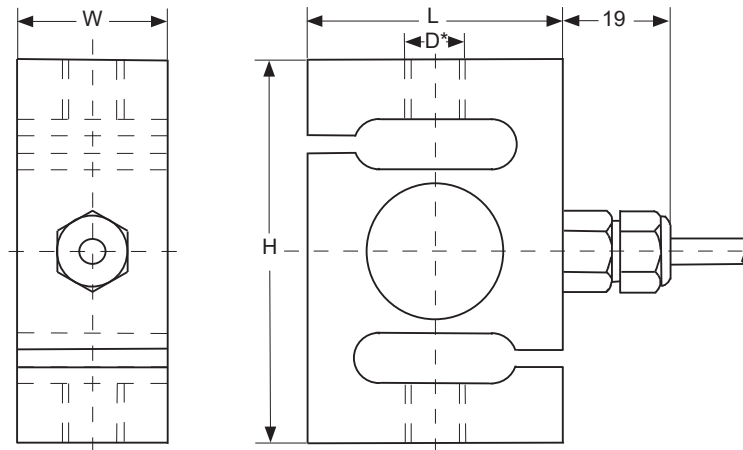
Applications:

- Apparatus construction
- Production lines
- Measurement and control equipment
- Building of jigs and special purpose machinery
- Testing apparatus
- Manufacturing plant

Technical data:

Maximum capacity	kg	100 / 200 / 500 / 1000 / 2000 / 3000 / 5000	
Temperature effect on minimum dead load output	% FS / 10°C	$\leq \pm 0.0400$	$\leq \pm 0.0116$
Temperature effect on sensitivity	% FS / 10°C	$\leq \pm 0.0200$	$\leq \pm 0.0100$
Combined error	% FS	$\leq \pm 0.0500$	$\leq \pm 0.0200$
Non-linearity	% FS	$\leq \pm 0.0400$	$\leq \pm 0.0166$
Hysteresis	% FS	$\leq \pm 0.0400$	$\leq \pm 0.0166$
Creep error (30 minutes)	% FS	$\leq \pm 0.0600$	$\leq \pm 0.0166$
Rated output	mV/V	2 \pm 0.1%	
Zero balance	%	$\leq \pm 5$	
Excitation voltage	% FS	5 ... 15	
Input resistance	Ω	1100 \pm 50	
Output resistance	Ω	1000 \pm 2	
Insulation resistance (100 V DC)	M Ω	≥ 5000	
Safe load limit	% FS	200	
Ultimate load	% FS	300	
Compensated temperature range	°C	-10 ... +40	
Operating temperature range	°C	-20 ... +65	
Load cell material		stainless steel 17-4 PH	
Sealing		potted	
Protection according EN 60 529		IP67	

Dimensions:



Range	H	L	W	Metric thread D-M	Unified thread D-U	Unified thread D-H
100...500 kg	76.2	49	30	M12×1.75	1/2-20	
1000 kg	76.2	49	30	M16×2	1/2-20	5/8-18
2000 kg	86.1	76.2	30	M16×2	5/8-18	
3000 kg	88.7	88.7	40	M20×1.5	3/4-16	
5000 kg	91.2	91.2	56.4	M24×2	1-12	

* 3-thread version available: -M/-U/-H

Electrical connections:

